

poly-planar inc. Waterproof Marine Speakers

INSTALLATION INSTRUCTIONS - WC400 Stereo Splash Cover

CONTENTS: Check for a complete package. This kit should contain:

- one front cover with smoked plexiglass door
- one rear cover
- one blue gasket which fits between the front and rear covers
- one U-shaped mounting bracket
- 2 knobs plus 2 round protector pads with adhesive backing
- package of 2 stainless steel machine screws and 4 stainless steel sheet metal screws for mounting front cover to rear cover and 4 stainless steel sheet metal screws for mounting bracket
- black panel with rectangular cutout.

NOTE: This black panel fits into the rear cover and is used to insure the rear cover does not warp in transit. This black panel should be discarded as it plays no role in the installation of your stereo.

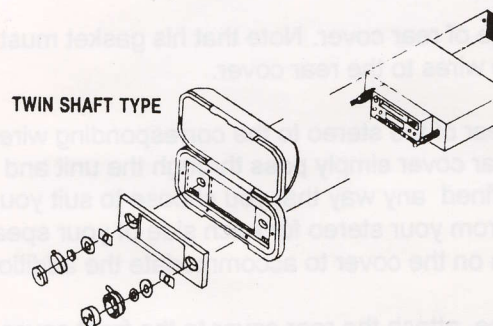
Next determine if you have a dual post or DIN style stereo. Dual post stereos have only two knobs on the front panel, typically volume control and station selector. These shafts are threaded and are equipped with nuts that allow the stereo to be mounted through a panel. All other stereos are DIN style. All CD players are DIN Style.

The basic concept of mounting any stereo into the WC400 stereo cover is to:

- Mount the stereo securely into the front cover.
- Connect the wires to the rear cover.
- Then attach the rear cover to the front cover.

DUAL POST STEREOS:

Remove the knobs, mounting nuts and front panel of the stereo. Slide the stereo into rear of the front cover of the WC400.



Attach front panel, mounting nuts, and knobs as per installation instructions of the stereo.

Place blue gasket over edge of rear cover. Note that this gasket must be located between the front and rear covers before you attach the stereo wires to the rear cover.

Attach the wires from the rear of the stereo to the corresponding wires in the back of the rear cover. Note that the wires on the rear cover simply pass through the unit and are marked for your

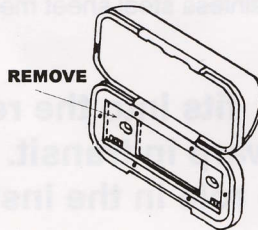
convenience. The wires may be defined in any way that you choose, to suit your installation. For example, if you have "+" and "-" wires coming from your stereo for each side of your speakers you may choose to use the "something" and the "aux" wires on the cover to accommodate the additional speaker wires.

With the blue gasket in place, attach the rear cover to the front cover. The two machine screws fit into the two end holes of the front cover (they will anchor into the metal studs) and the four sheet metal screws fit into the remaining four holes (they will anchor into the plastic holes).

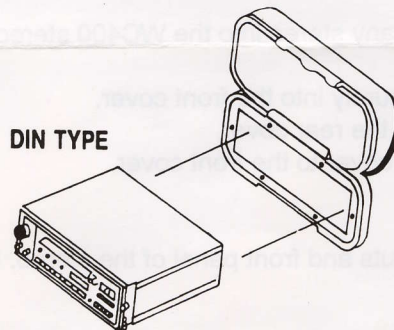
Attach gimbal mount bracket to main housing using the two mounting knobs provided.

DIN STYLE STEREOS:

To mount a DIN style stereo you must first remove the two vertical bars in the front cover of the WC400 which normally hold the dual post stereos in place. Using a utility knife, cut these tabs. When viewed from the back, these bars have notches at the top and bottom. Cut along the Notches.



Slide the stereo through the front of the front cover. Follow the installation instructions in your stereo manual for attaching the stereo to the front cover. Usually this involves using mounting clamps or bending metal tabs on the stereo.



Place blue gasket over edge of rear cover. Note that this gasket must be between the front and rear covers before you attach the stereo wires to the rear cover.

Attach the wires from the rear of the stereo to the corresponding wires in the back of the rear cover. Note that the wires on the rear cover simply pass through the unit and are marked for your convenience. The wires may be defined any way that you choose to suit your installation. For example, if you have "+" and "-" wires coming from your stereo for each side of your speakers you may choose to use the "something" and the "aux" wires on the cover to accommodate the additional speaker wires.

With the blue gasket in place, attach the rear cover to the front cover. The two machine screws fit into the two end holes of the front cover (they will anchor into the metal studs) and the four sheet metal screws fit into the remaining four hole (they will anchor into the plastic holes).

Attach gimbal mount bracket to the main housing using the two mounting knobs provided.

FOR REMOVABLE OR "PULL-OUT" STEREOS USE DIN STYLE INSTALLATION INSTRUCTIONS.